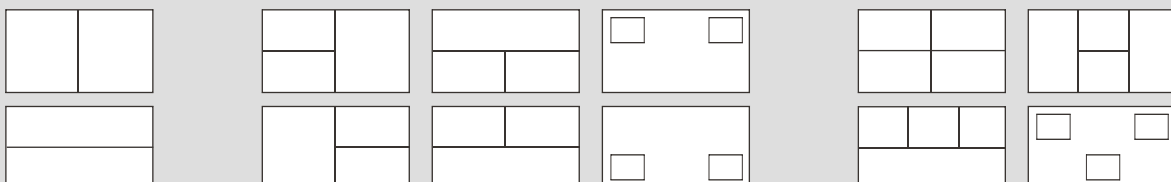




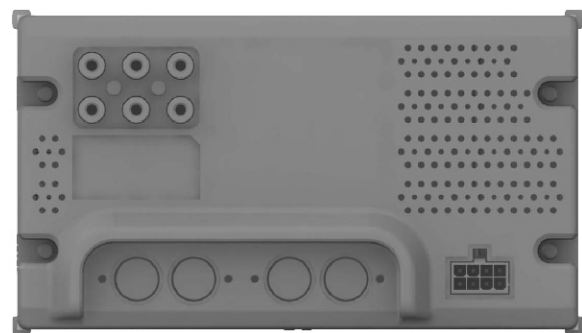
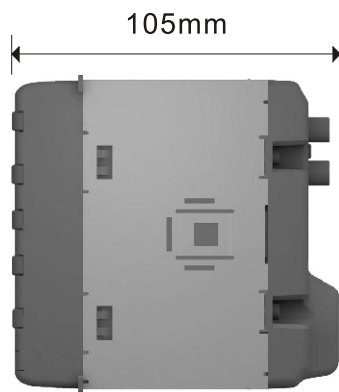
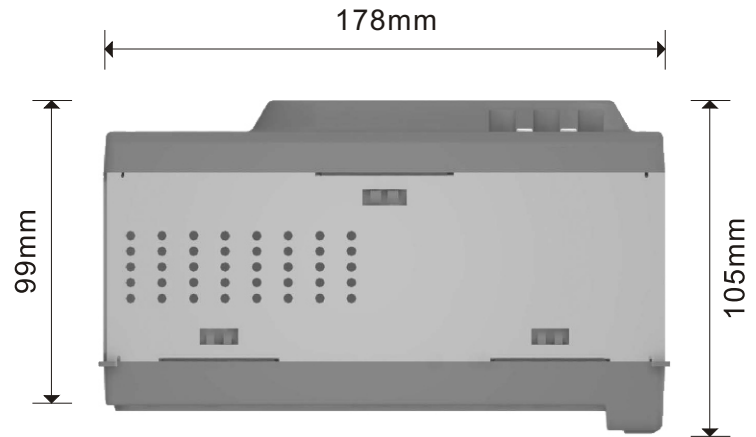
## Specifications

LCD	6.5 Inch Analogue type (16:9 wide screen)
Backlight (Brightness)	CCFL (500 cd/m2)
Resolution	400RGB(W) X 234(H) [ 280,000 Pixels ]
View Angle	Top: 45°, Bottom: 60°, Left: 60°, Right: 60°
Video System	NTSC/PAL (Auto Detection)
Sync. System	Internal
Display modes	Single / Split / Triple / PIP / Quad
Color Configuration	RGB Stripe
Power Input	DC 10V ~ 30V
Power Consumption	Max. 30 Watt.
Camera Inputs	4 Inputs (4P Mini Din)
A/V Inputs	2 Inputs (RCA)
A/V Output	1 Output (RCA)
Triggers Inputs	5 Inputs (DC 9V~ 32V)
Speed Switch Input	1 Input (Speed Pulse)
Auto Bright Control	Day/Night Sensor
OSD Controls	Brightness, Contrast, Color, Tint (NTSC only), Mirror/Normal, Day/Night modes, Scale, Volume etc.
OSD Language Option	English / Dutch
Operating Temp.	-20°C ~ 60°C
Storage Temp.	-30°C ~ 85°C
Weight	Approx. 1.0kg (TBD)
Supplied Accessories	Sunvisor (1), Deco plate (1), Trim bracket (2), Cable bracket (2), Ejection key (2), Power cable (1), Screw kits (8), Operation Manual

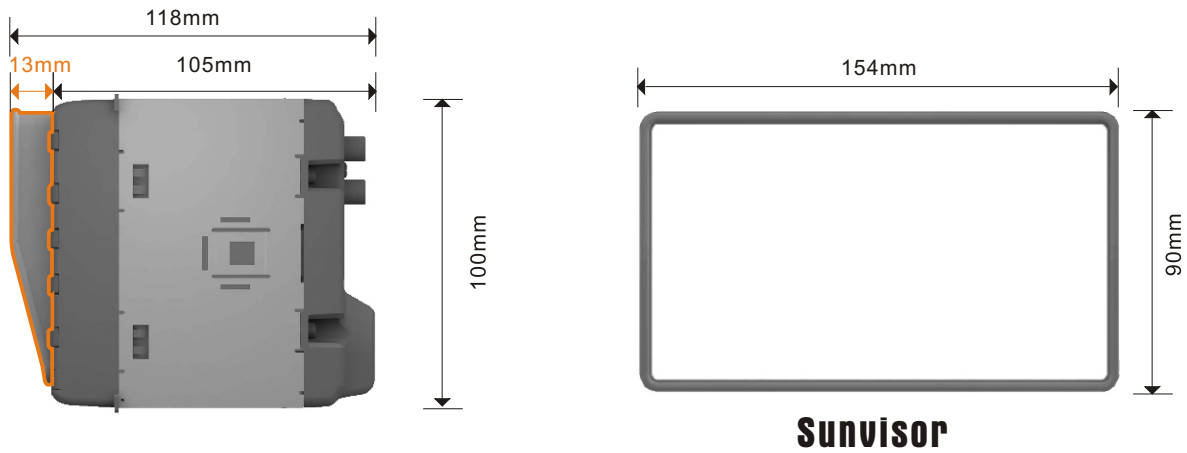
## Display modes (tentative)



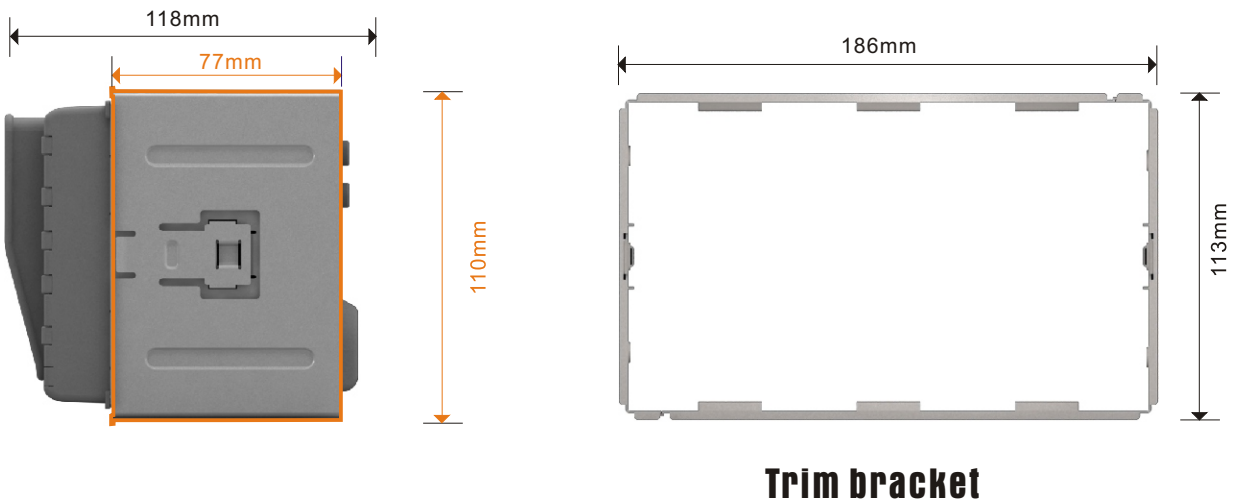
### 2DIN Monitor



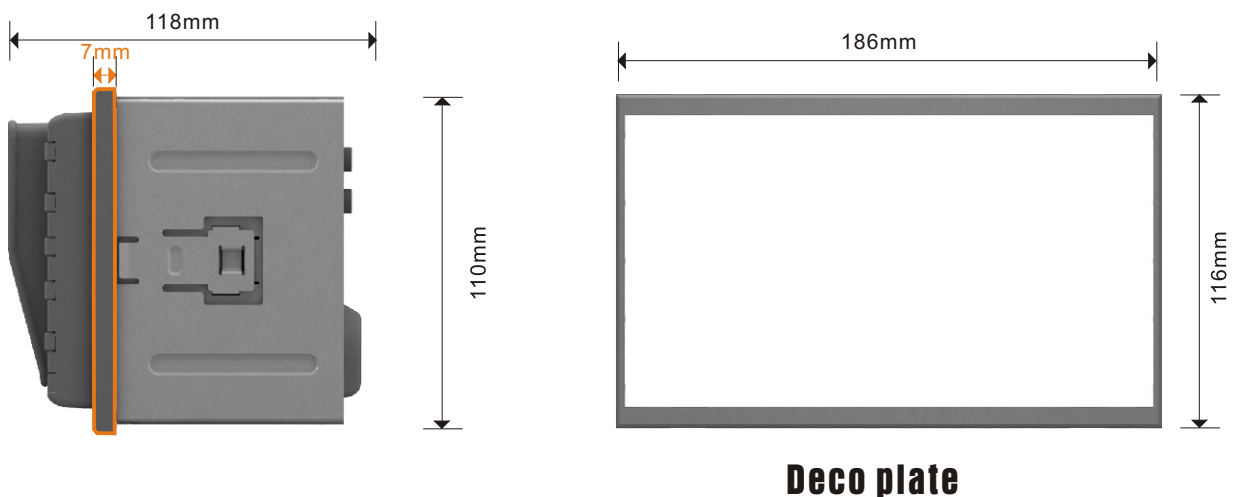
### 2DIN Monitor + Sunvisor



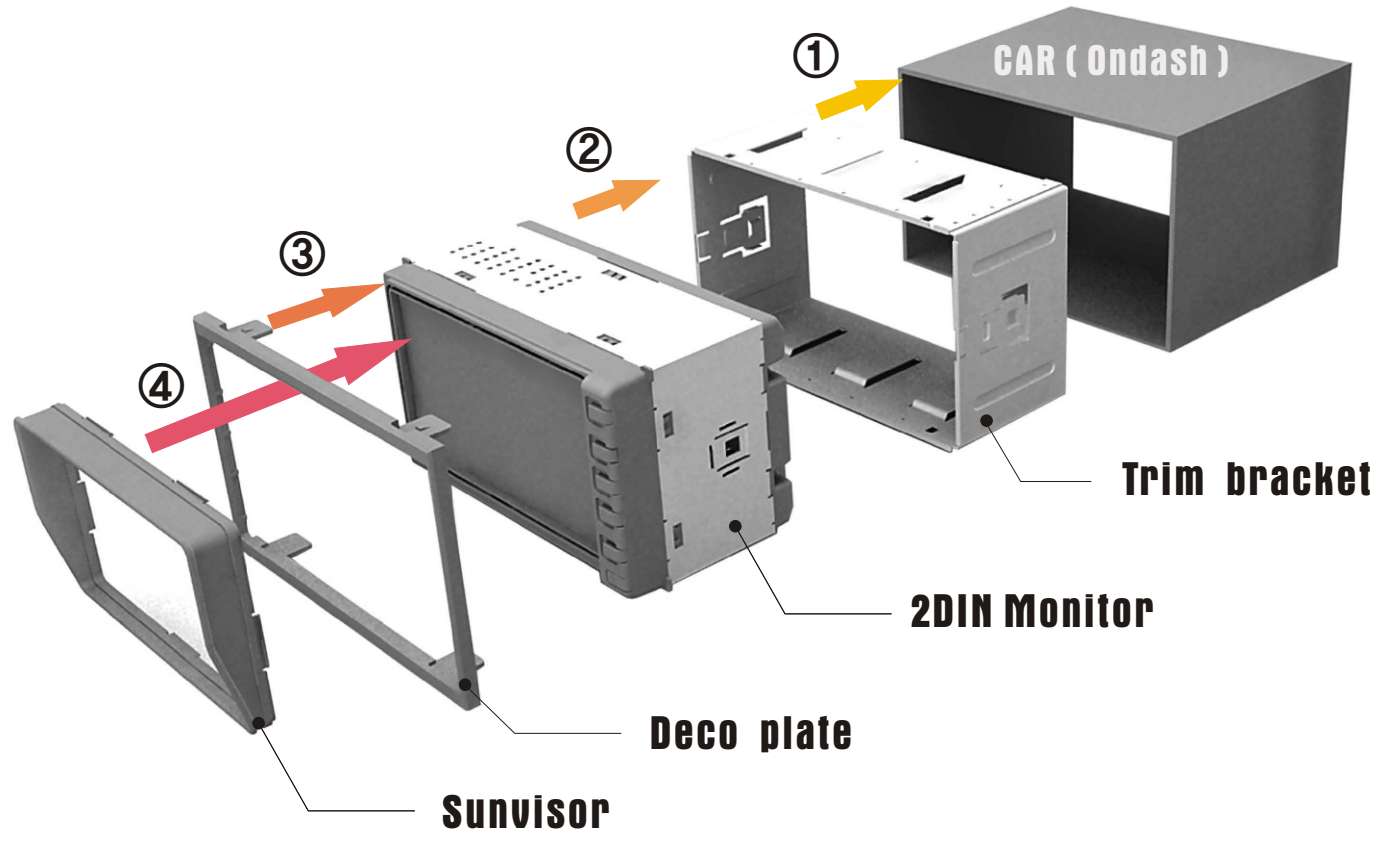
### 2DIN Monitor + Sunvisor + Trim bracket



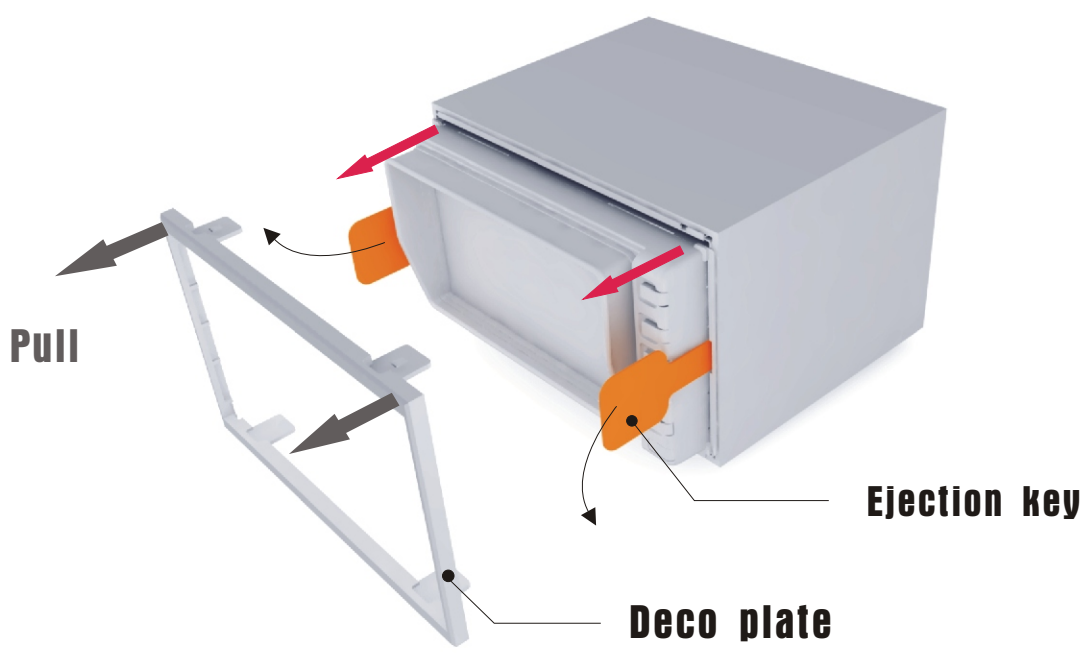
### 2DIN Monitor + Sunvisor + Trim bracket + Deco plate



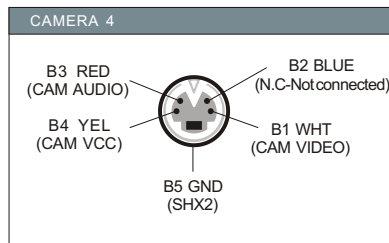
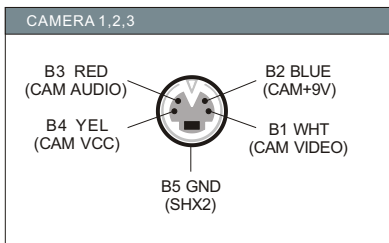
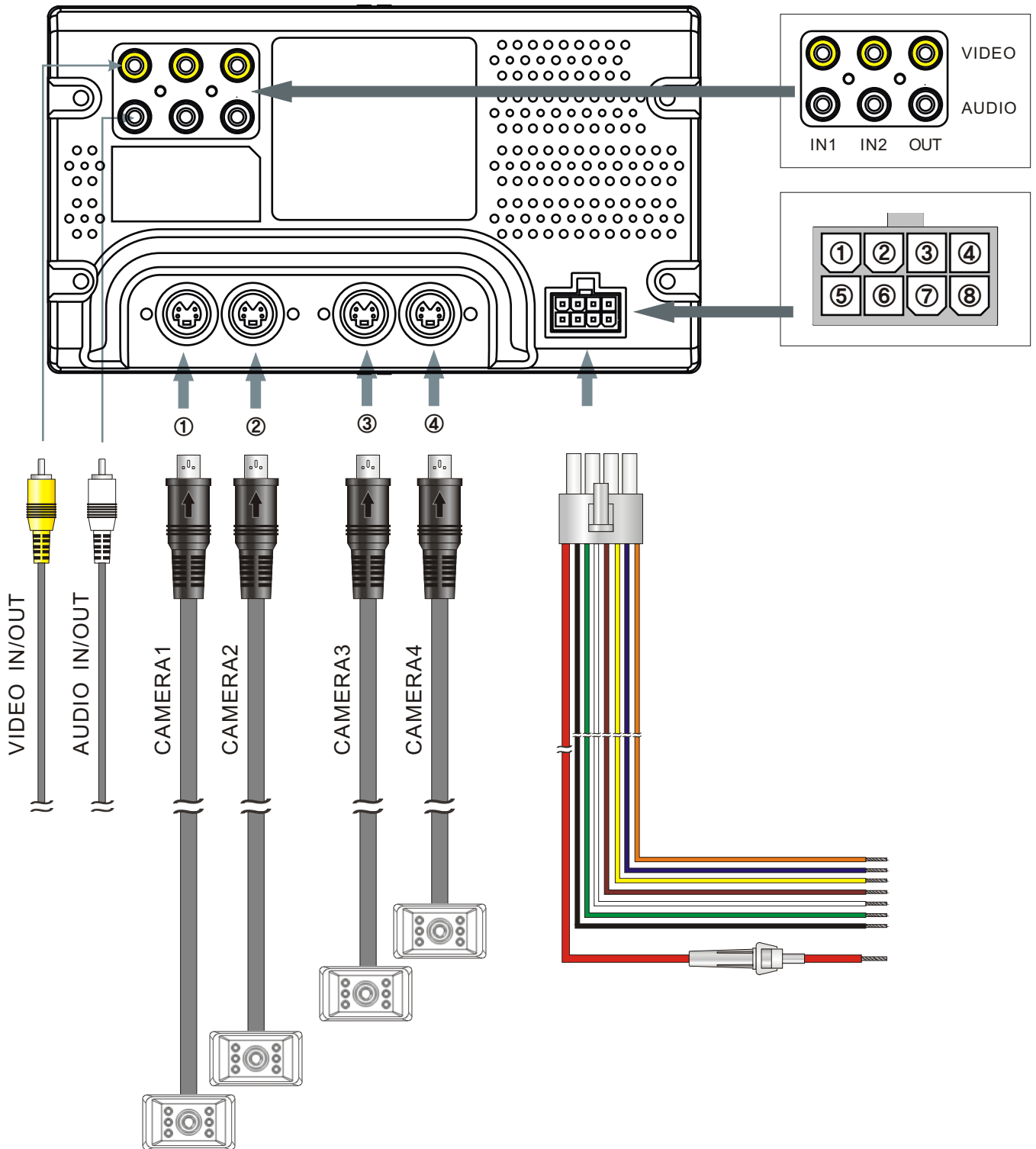
## Installation



## Exploded View



## Connection



No	WIRE SPEC	WIRE COLOR	LABEL	L
①	UL 1007 AWG #16	R E D	POWER IN DC(10 TO 32V)	2 M ±100mm
②	UL 1007 AWG #22	GREEN	TRIGGER 1	
③	UL 1007 AWG #22	WHITE	TRIGGER 2	
④	UL 1007 AWG #22	BROWN	TRIGGER 5	
⑤	UL 1007 AWG #16	BLACK	GROUND	
⑥	UL 1007 AWG #22	YELLOW	TRIGGER 4	
⑦	UL 1007 AWG #22	B L U E	TRIGGER 3	
⑧	UL 1007 AWG #22	ORANGE	SPEED PULSE (TACHO GRAPH)	

## Menu Structure

### Short Menu

DISPLAY MENU		
BRIGHT	- [ ] +	+32
CONTRAST	- [ ] +	+32
COLOR	- [ ] +	+32
TINT	- [ ] +	+32

#### DISPLAY MENU

BRIGHT [ 0 ~ 63 ]  
 CONTRAST [ 0 ~ 63 ]  
 COLOR [ 0 ~ 63 ]  
 TINT [ 0 ~ 63 ]

### Long Menu

MAIN MENU	
CAMERA SETTING	
TRIGGER MODE	
SPLIT MODE	
AUTO SCAN	



CAMERA SETTING	
CAM1	NOR/MIR:[MIRROR]
CAM2	NAME:[CAM1] [ ]
CAM3	SORT:[NORMAL]
CAM4	

#### CAMERA SETTING

CAM1 NOR/MIR:[NOMAL;MIRROR]  
 CAM2 NAME:[CAM1] [ ]  
 CAM3 SORT:[NOMAL;SHUTTER;TILT]  
 CAM4

TRIGGER MODE	
TRIGGER1	SOURCE:[CAM1]
TRIGGER2	DELAY:[02 SEC]
TRIGGER3	SCALE:[TYPE2]
TRIGGER4	NUMBER:[OFF]
TRIGGER5	DISPLAY SCALE [ ]

#### TRIGGER MODE

TRIGGER1 SOURCE:[CAM1;CAM2;CAM3;CAM4;AUX;SPLIT1;SPLIT2;SPLIT3]  
 TRIGGER2 DELAY:[0 SEC ~ 20 SEC]  
 TRIGGER3 SCALE:[NONE;TYPE1;TYPE2]  
 TRIGGER4 NUMBER:[ON;OFF]  
 TRIGGER5 DISPLAY SCALE [ ]

SPLIT MODE	
SPLIT1	AUDIO:[CAM1]
SPLIT2	SOURCE1:[CAM1]
SPLIT3	SOURCE2:[CAM2]
	SOURCE3:[OFF]
	SOURCE4:[OFF]
	SCALER [ ]

#### SPLIT MODE

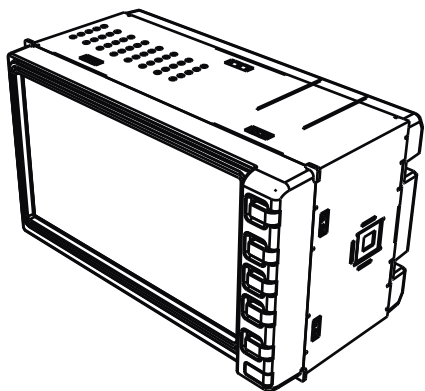
SPLIT1 AUDIO:[CAM1;CAM2;CAM3;CAM4;OFF]  
 SPLIT2 SOURCE1:[CAM1;CAM2;CAM3;CAM4;OFF]  
 SPLIT3 SOURCE2:[CAM1;CAM2;CAM3;CAM4;OFF]  
 SOURCE3:[CAM1;CAM2;CAM3;CAM4;OFF]  
 SOURCE4:[CAM1;CAM2;CAM3;CAM4;OFF]  
 SCALER [ ]

AUTO SCAN	
CAM1:[02SEC]	AUX:[02SEC]
CAM2:[02SEC]	SPLIT1:[02SEC]
CAM3:[02SEC]	SPLIT2:[02SEC]
CAM4:[02SEC]	SPLIT3:[02SEC]

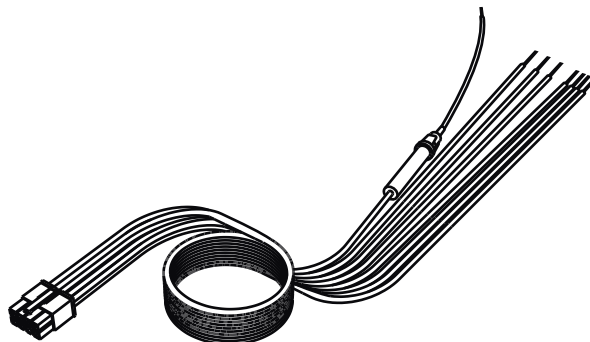
#### AUTO SCAN

CAM1:[0 SEC ~ 20 SEC] AUX:[0 SEC ~ 20 SEC]  
 CAM2:[0 SEC ~ 20 SEC] SPLIT1:[0 SEC ~ 20 SEC]  
 CAM3:[0 SEC ~ 20 SEC] SPLIT2:[0 SEC ~ 20 SEC]  
 CAM4:[0 SEC ~ 20 SEC] SPLIT3:[0 SEC ~ 20 SEC]

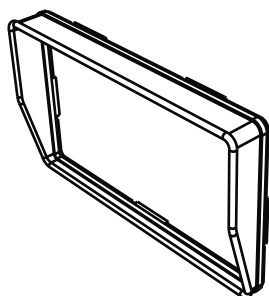
## Composition



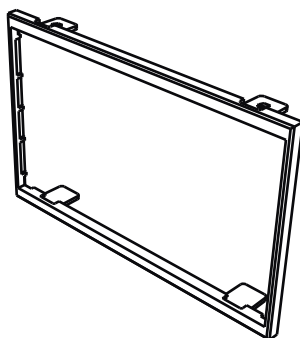
**2DIN Monitor**



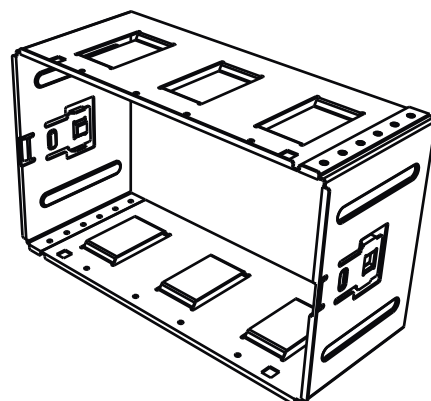
**Power cable**



**Sunvisor**



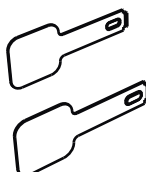
**Deco plate**



**Trim bracket**



**CABLE bracket(2EA)**



**Ejection key(2EA)**



**Tapping Screw T1.6X5(8EA)**